

Instructivo de armado

Mesa Centro Mill

Ref.22758



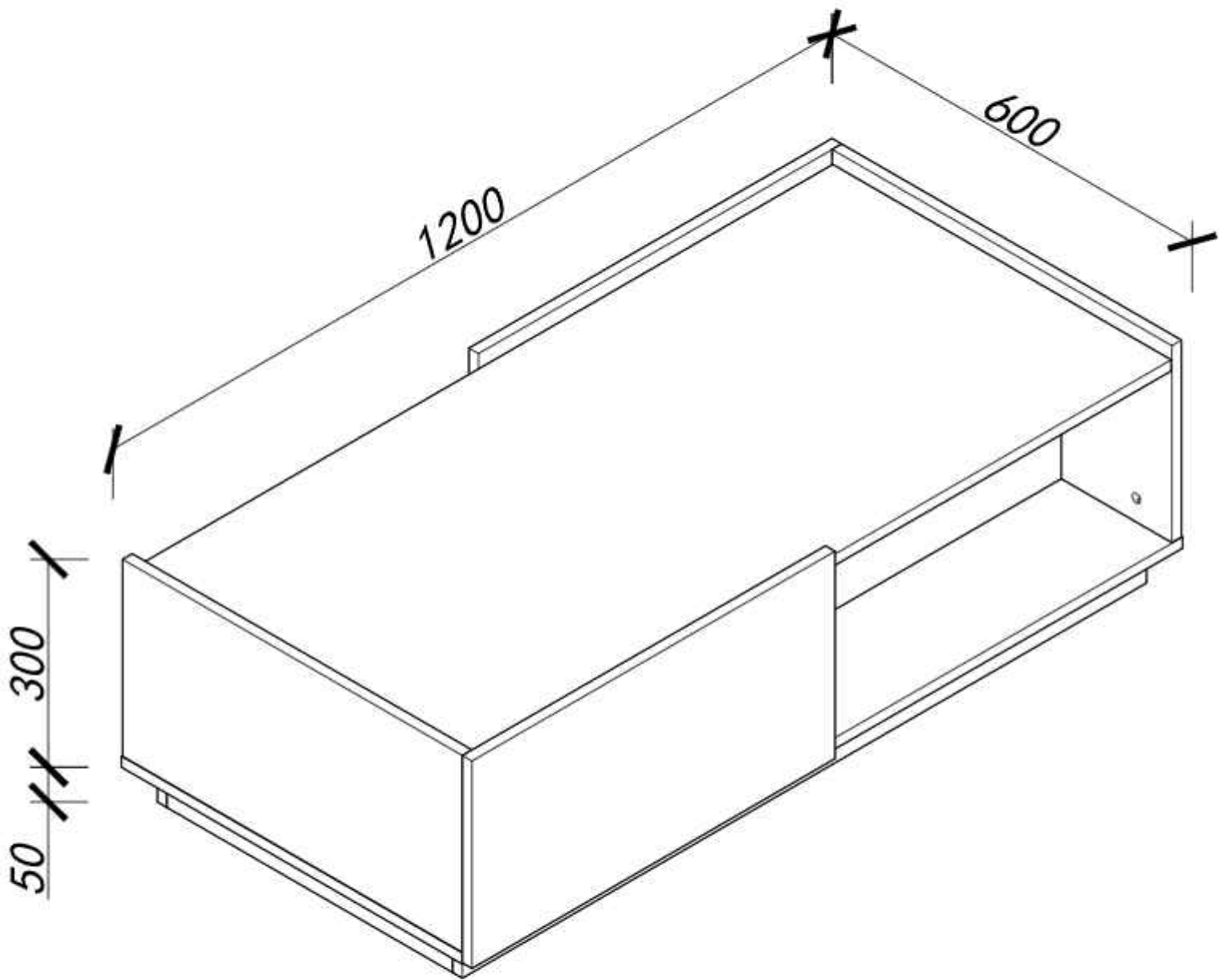
AMBIENTE GOURMET.

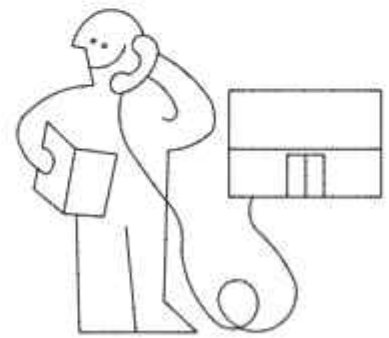
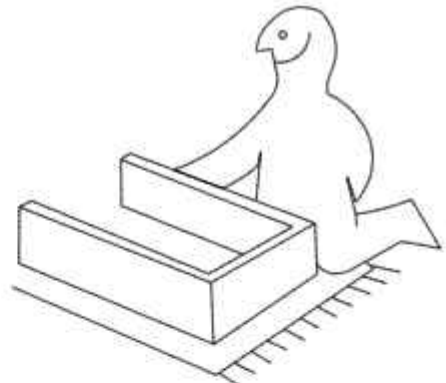
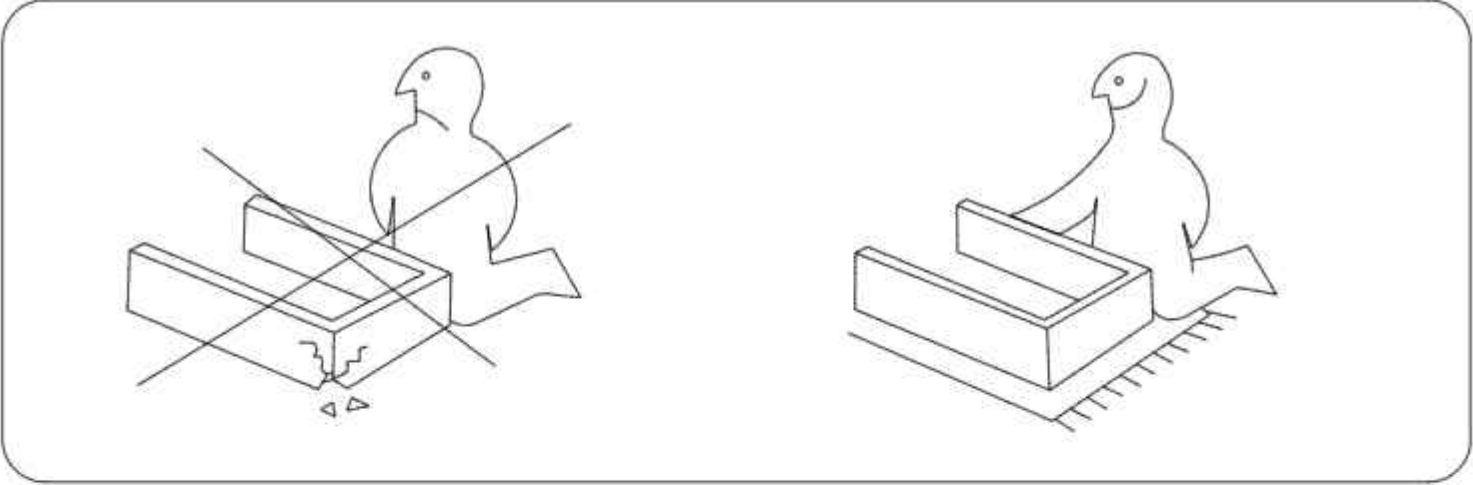
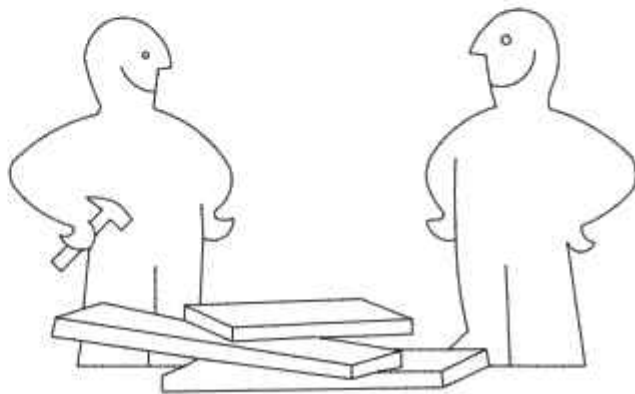
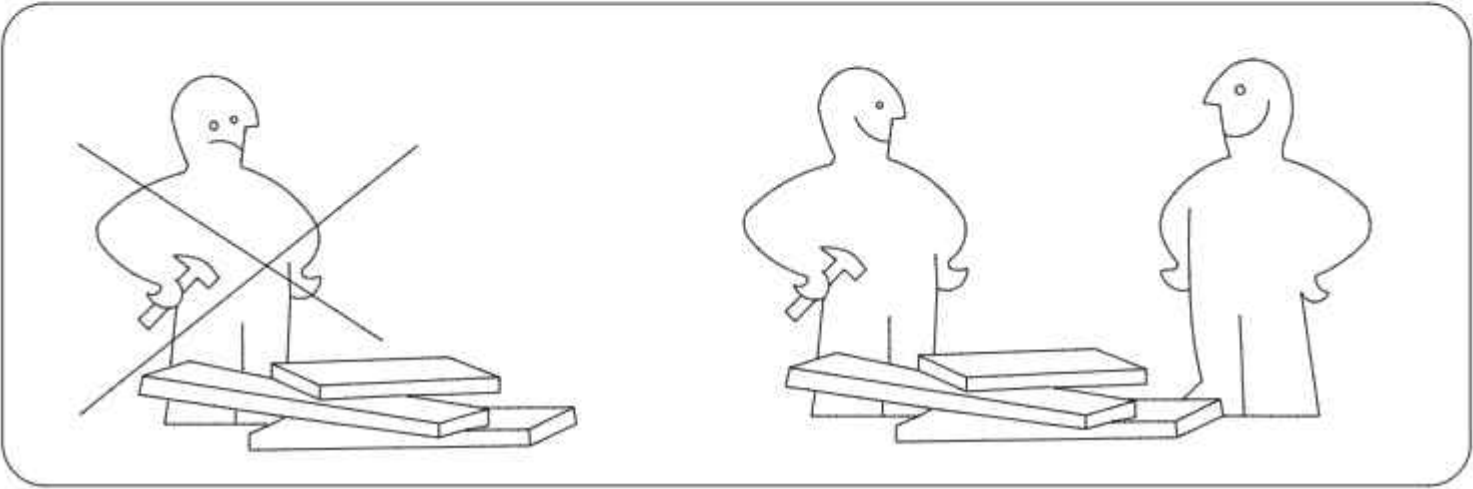
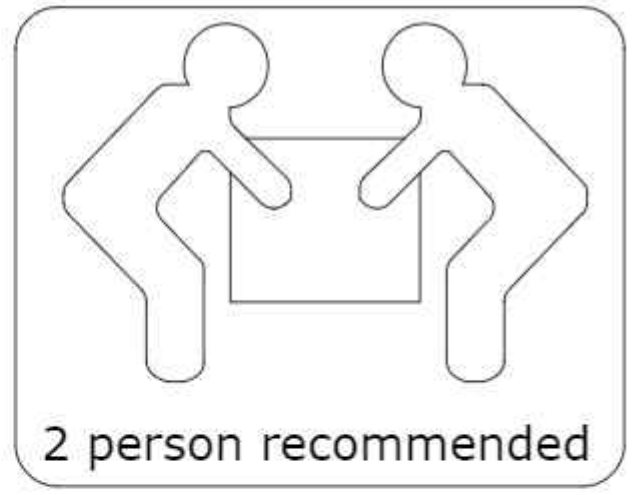
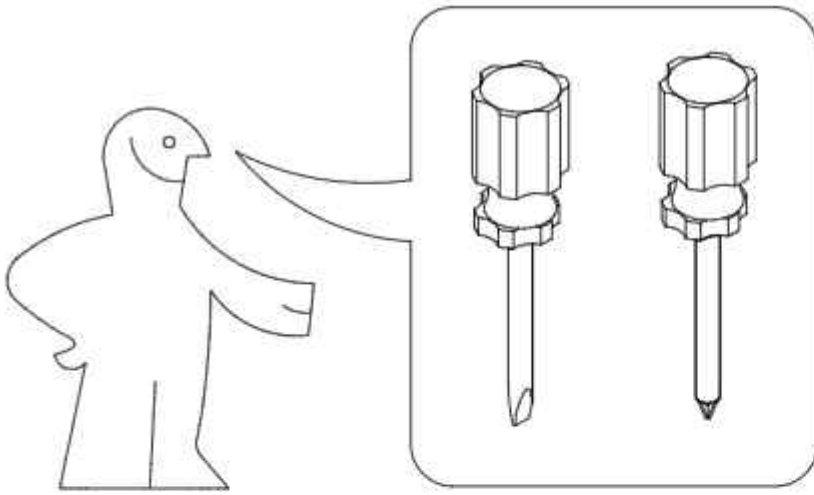
AMBIENTE LOFT.

AMBIENTE LIVING.

CLUB HOUSE.

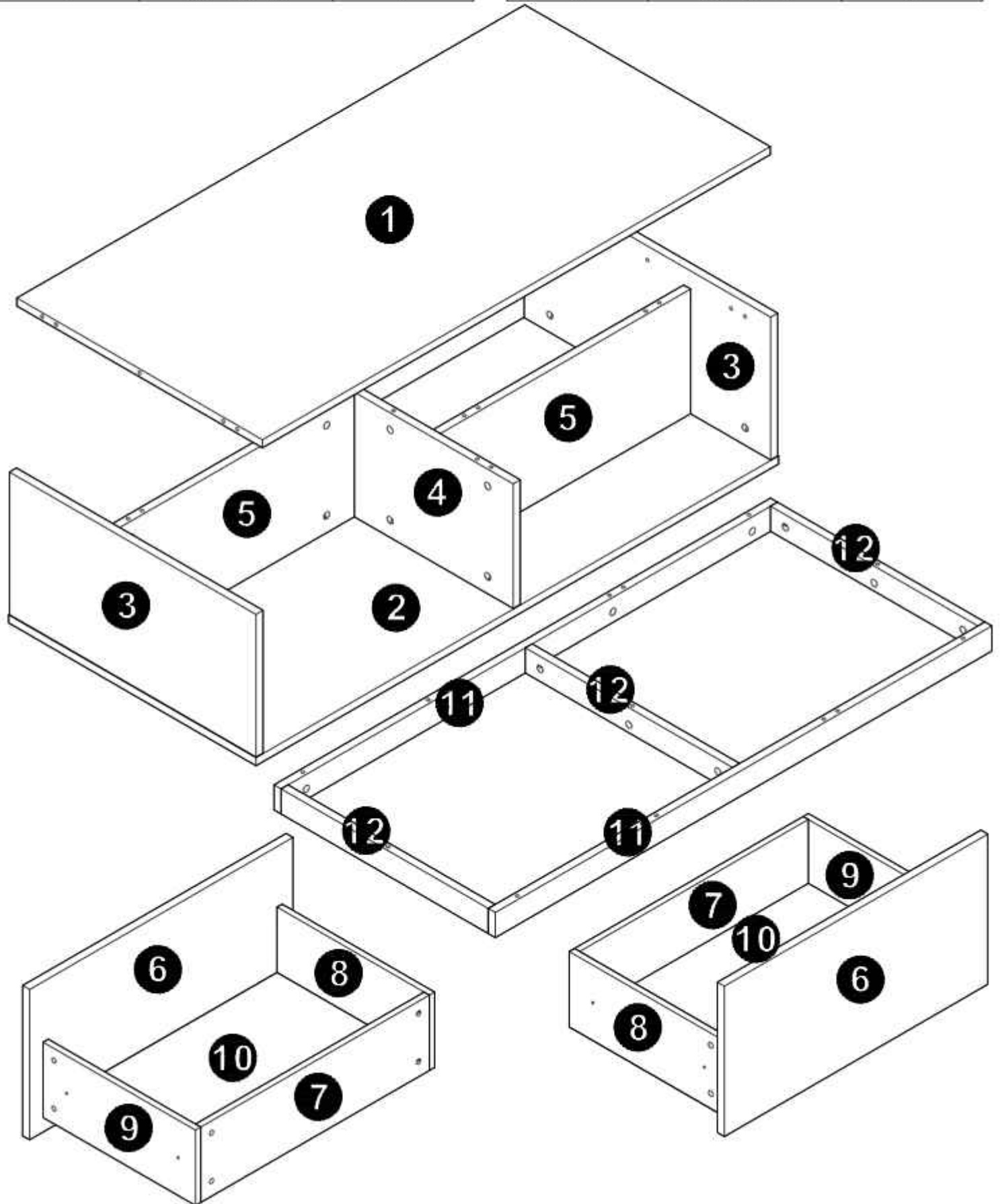
Assembly Instruction





Panel No	Panel Sizes	Quantity
1	1166*564*16	1
2	1200*568*16	1
3	284*566*16	2
4	248*564*16	1
5	248*575*16	2
6	605*299*16	2

Panel No	Panel Sizes	Quantity
7	525*150*12	2
8	350*150*12	2
9	350*150*12	2
10	535*348*5	2
11	1140*50*16	2
12	476*50*16	3



Fittings



A=41



B=24



C=41



D=57



N=2



O=16



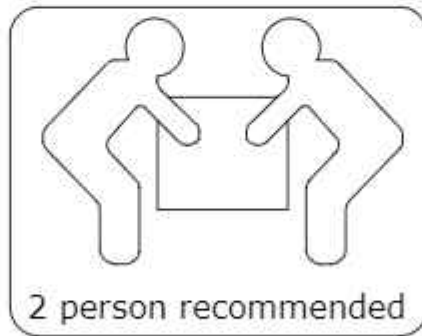
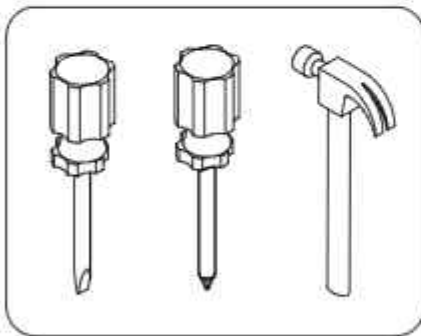
P=16



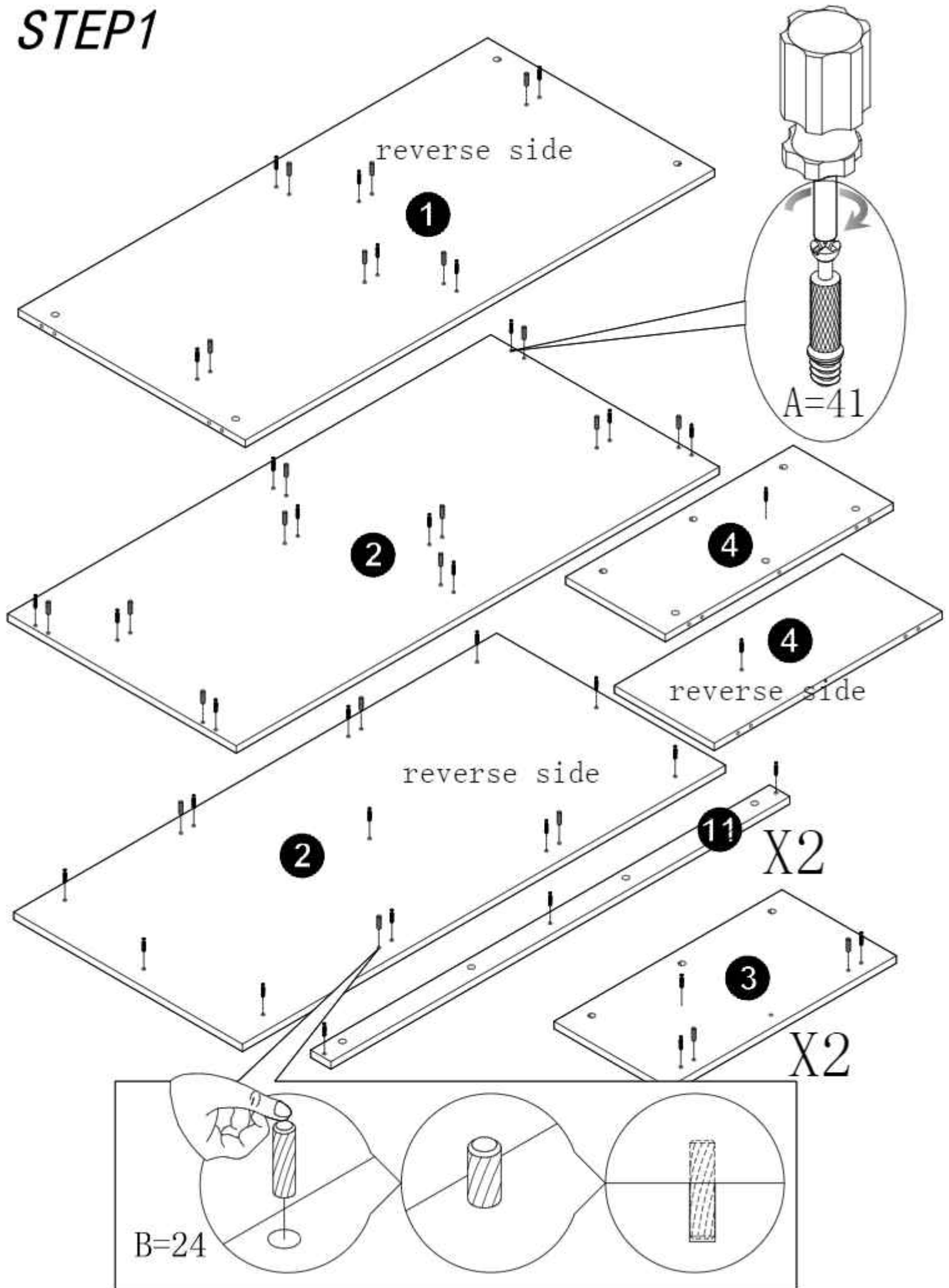
M3, 5*12

V1=16

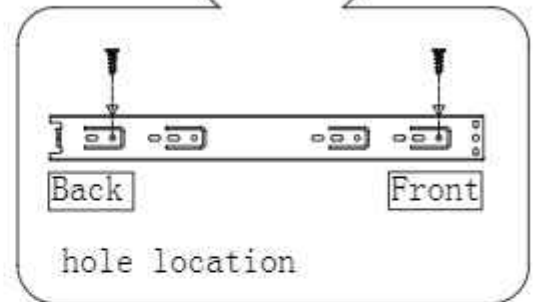
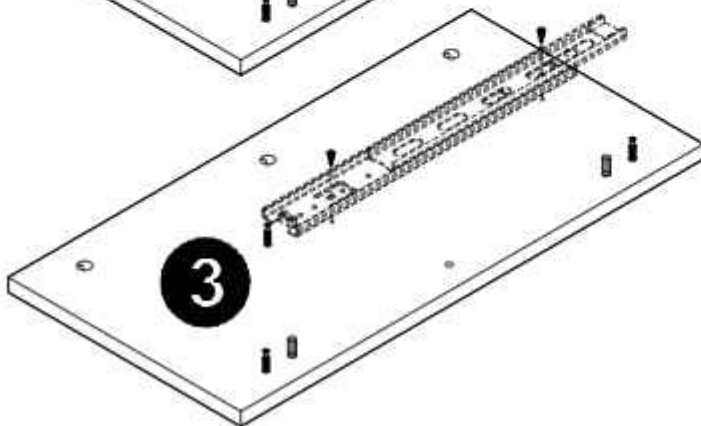
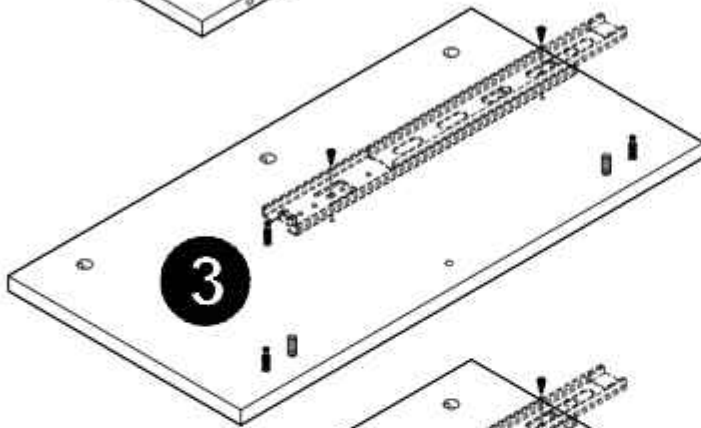
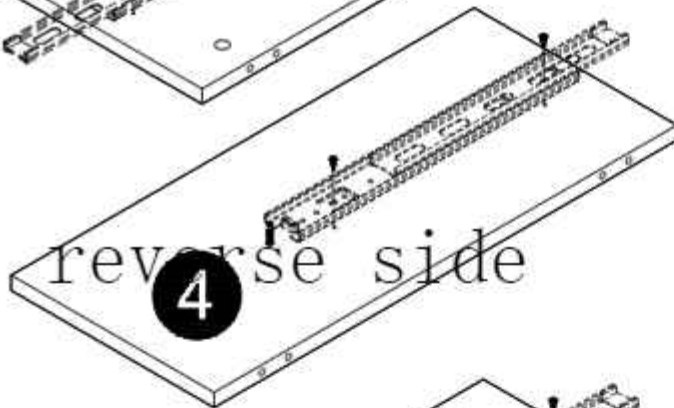
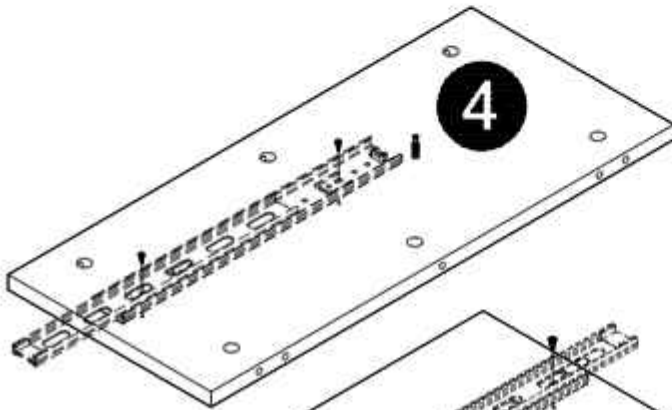
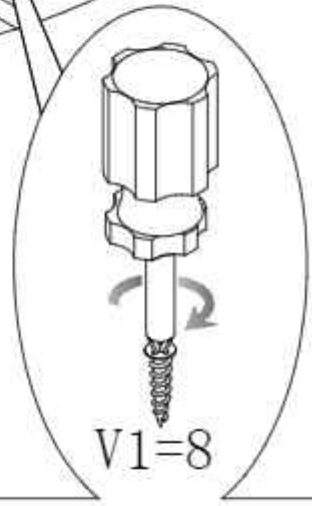
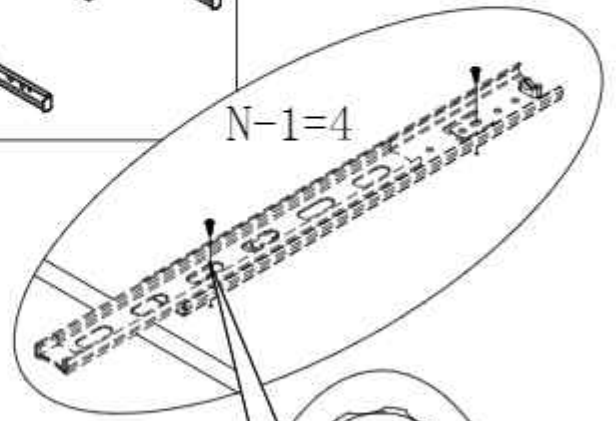
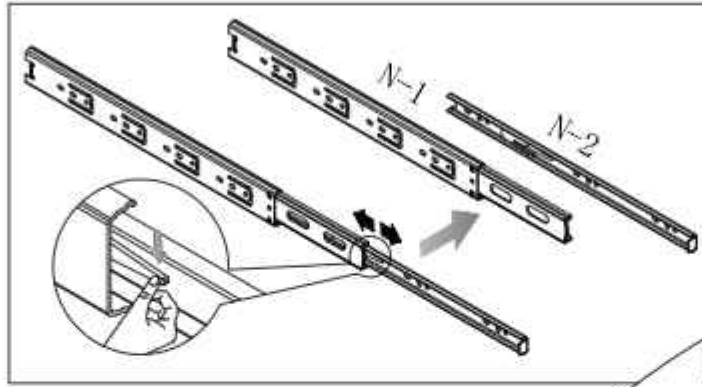
Tools Needed



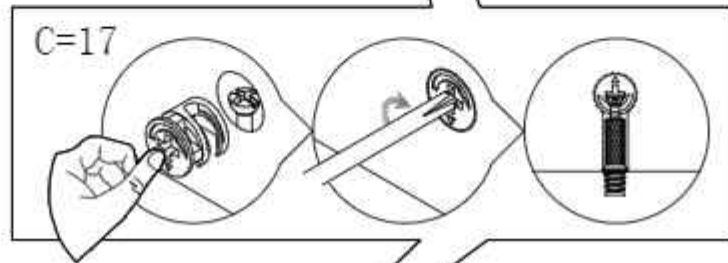
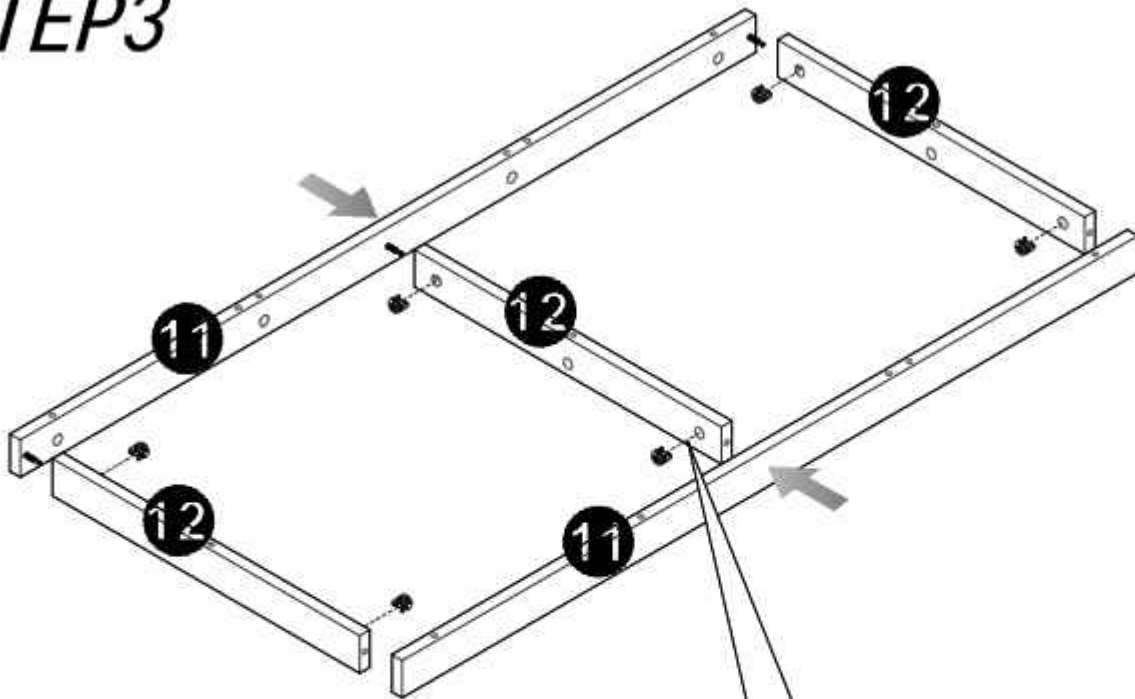
STEP 1



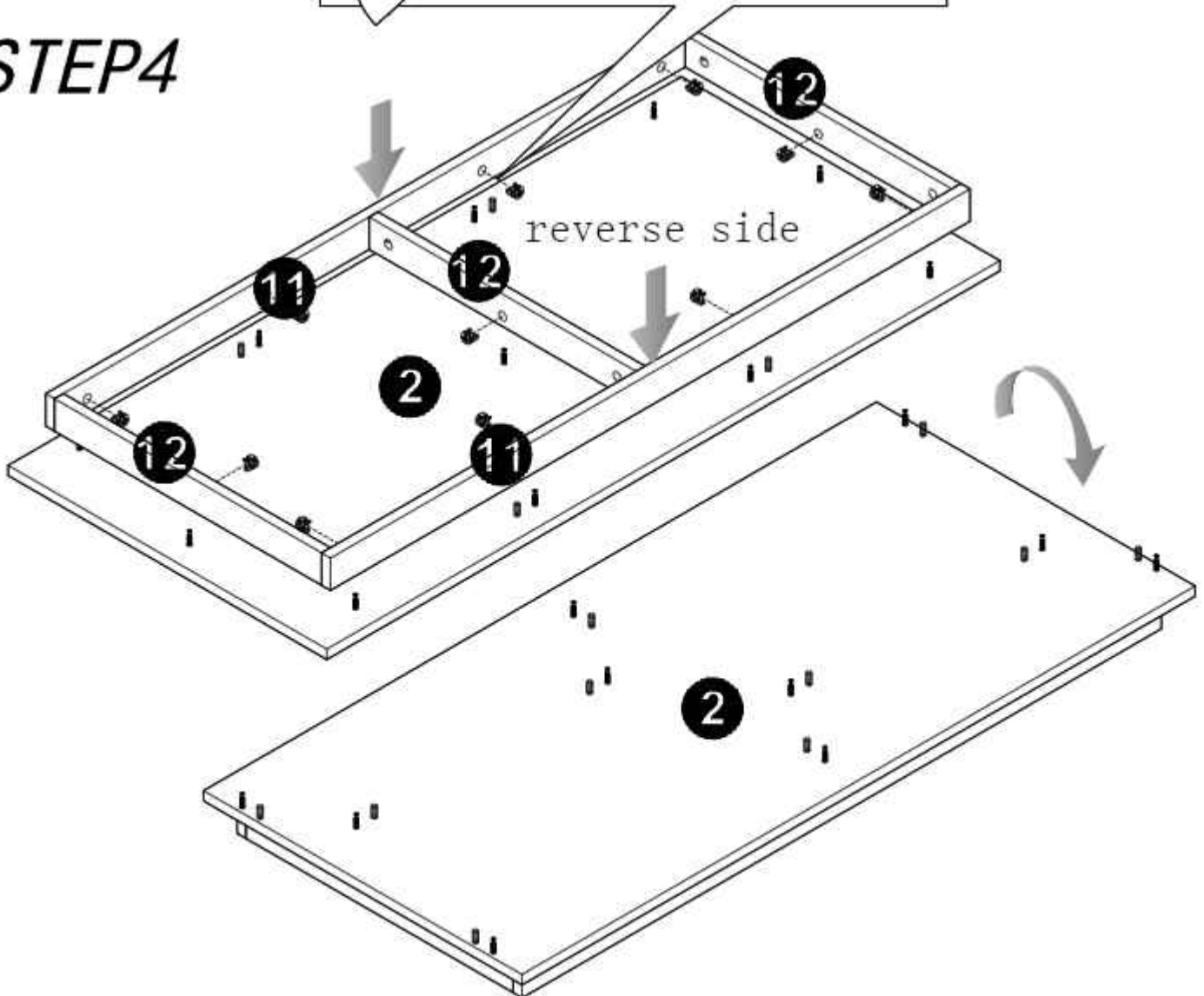
STEP 2



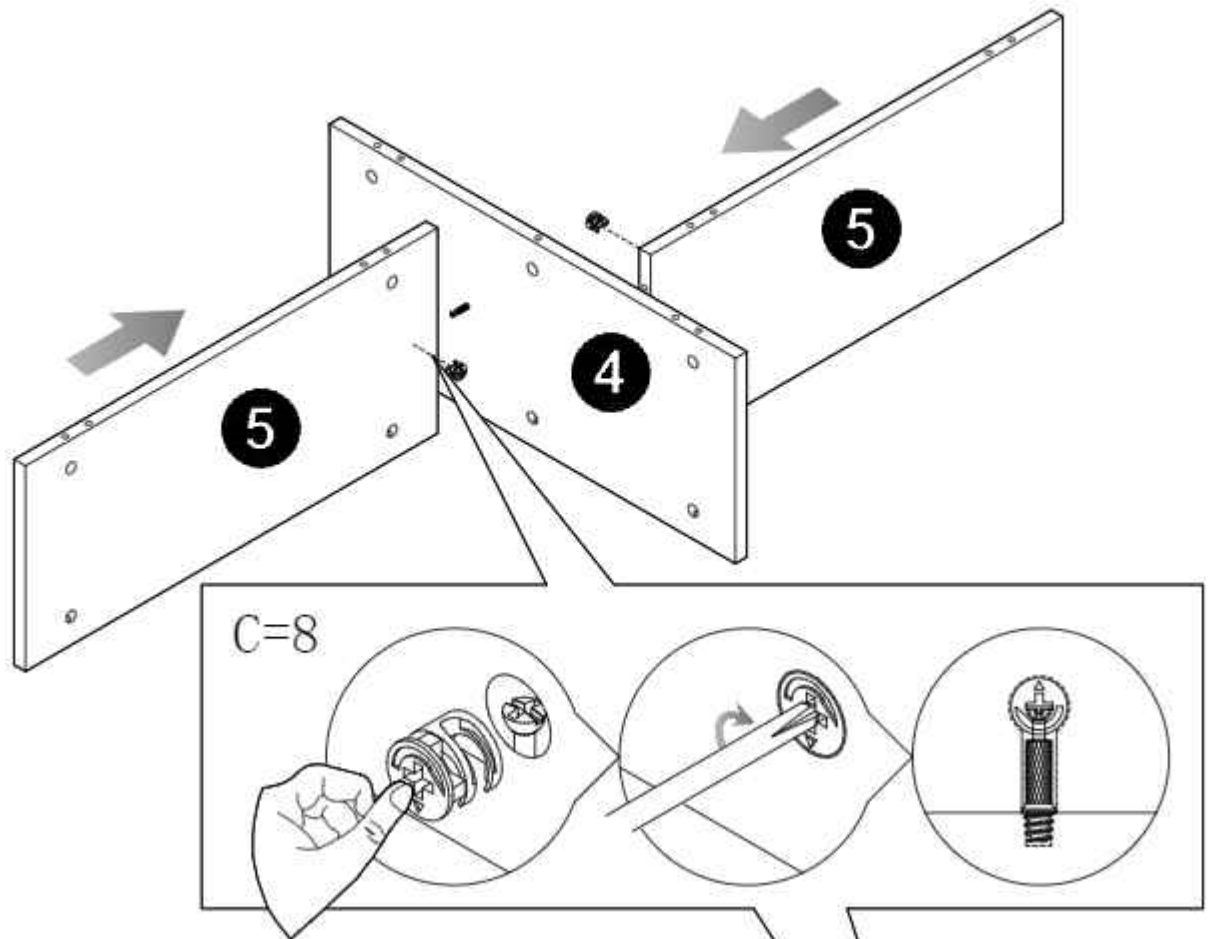
STEP 3



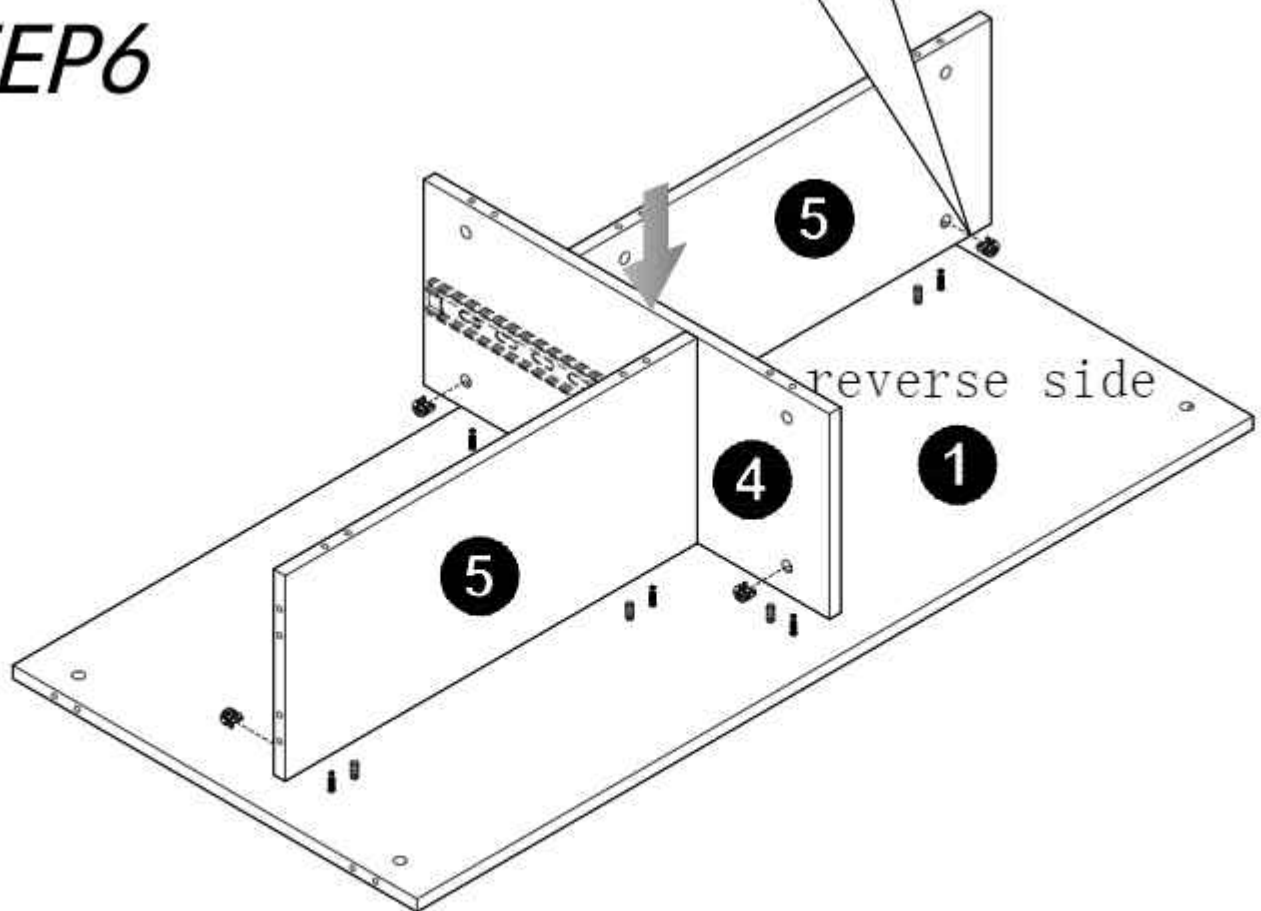
STEP 4



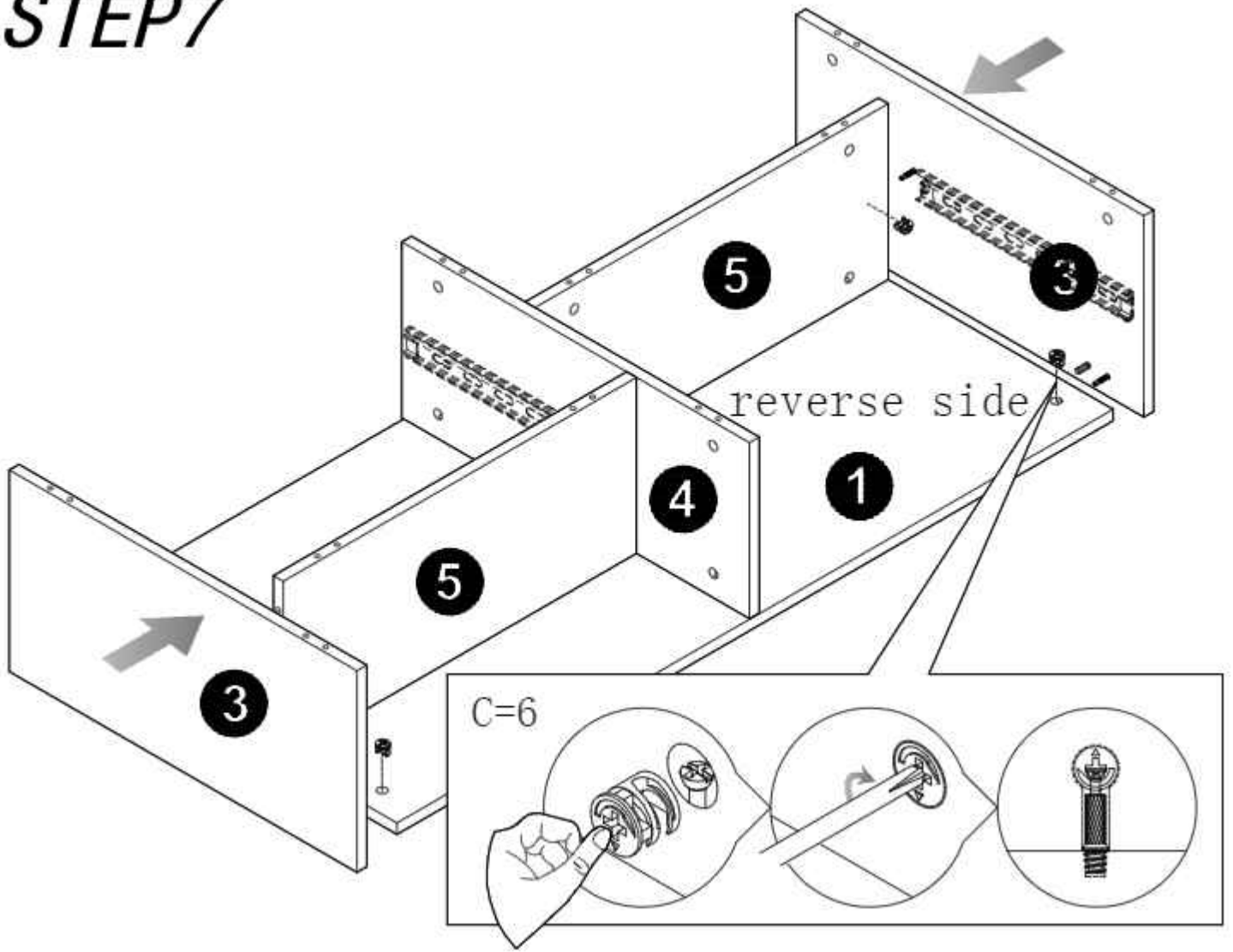
STEP 5



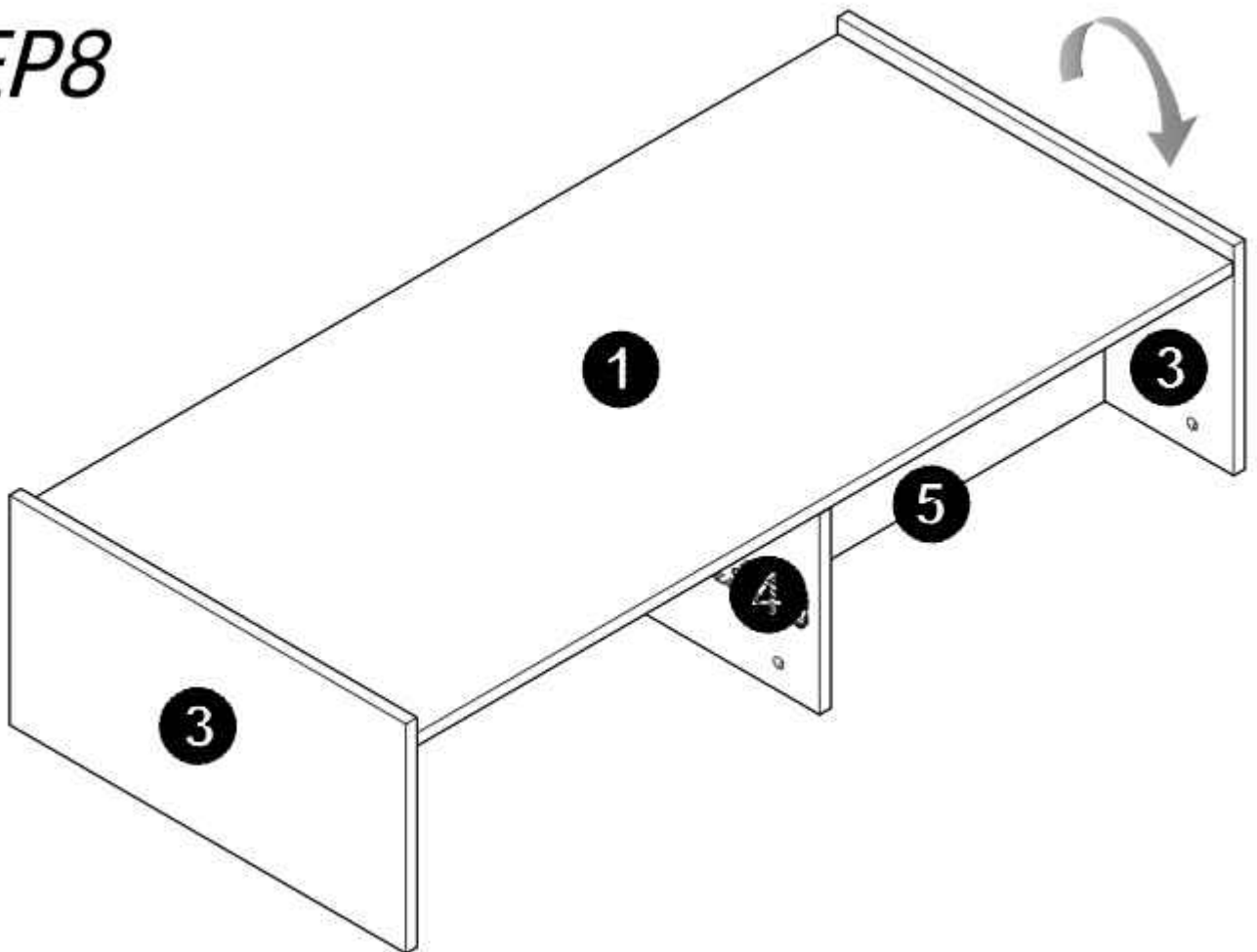
STEP 6



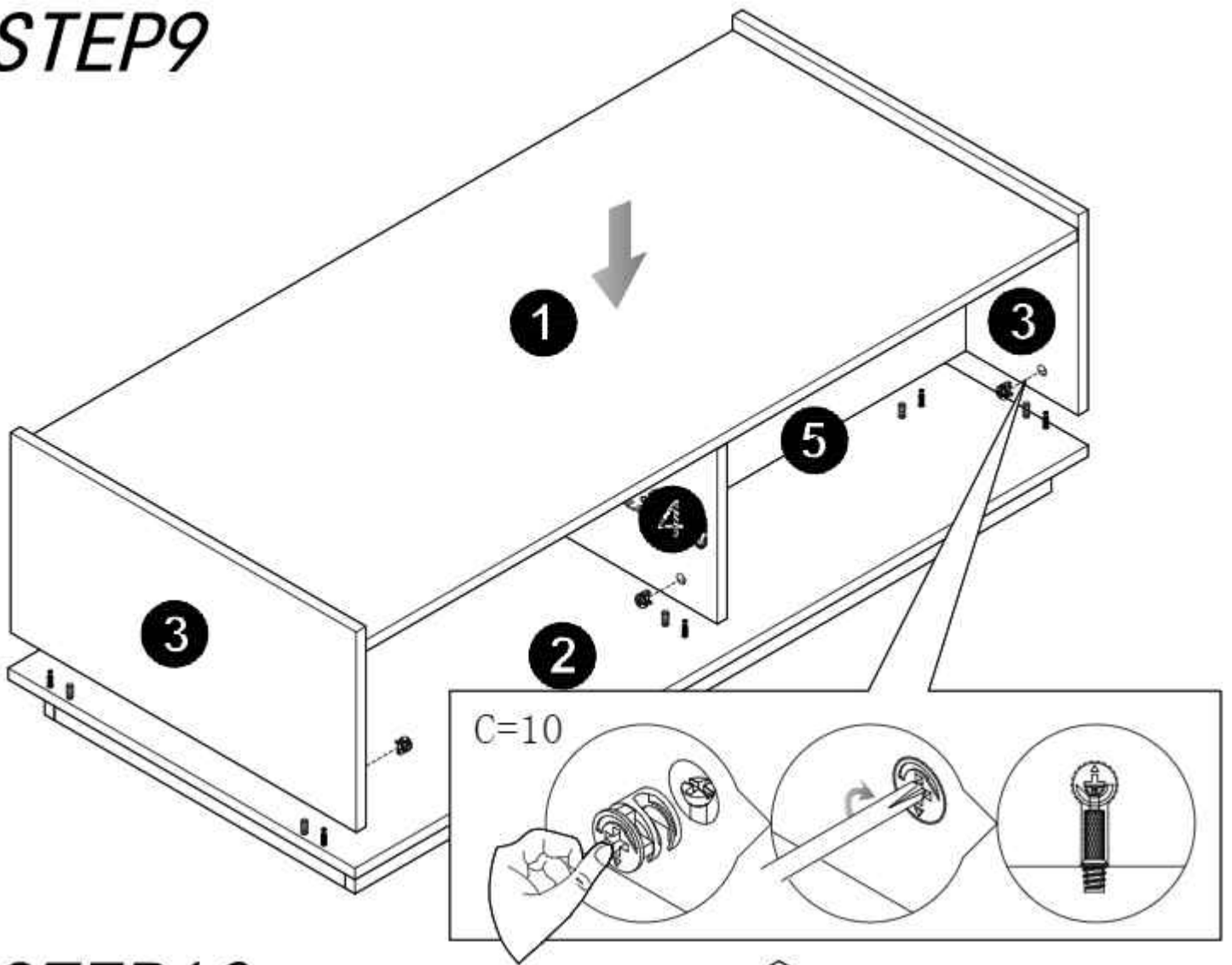
STEP 7



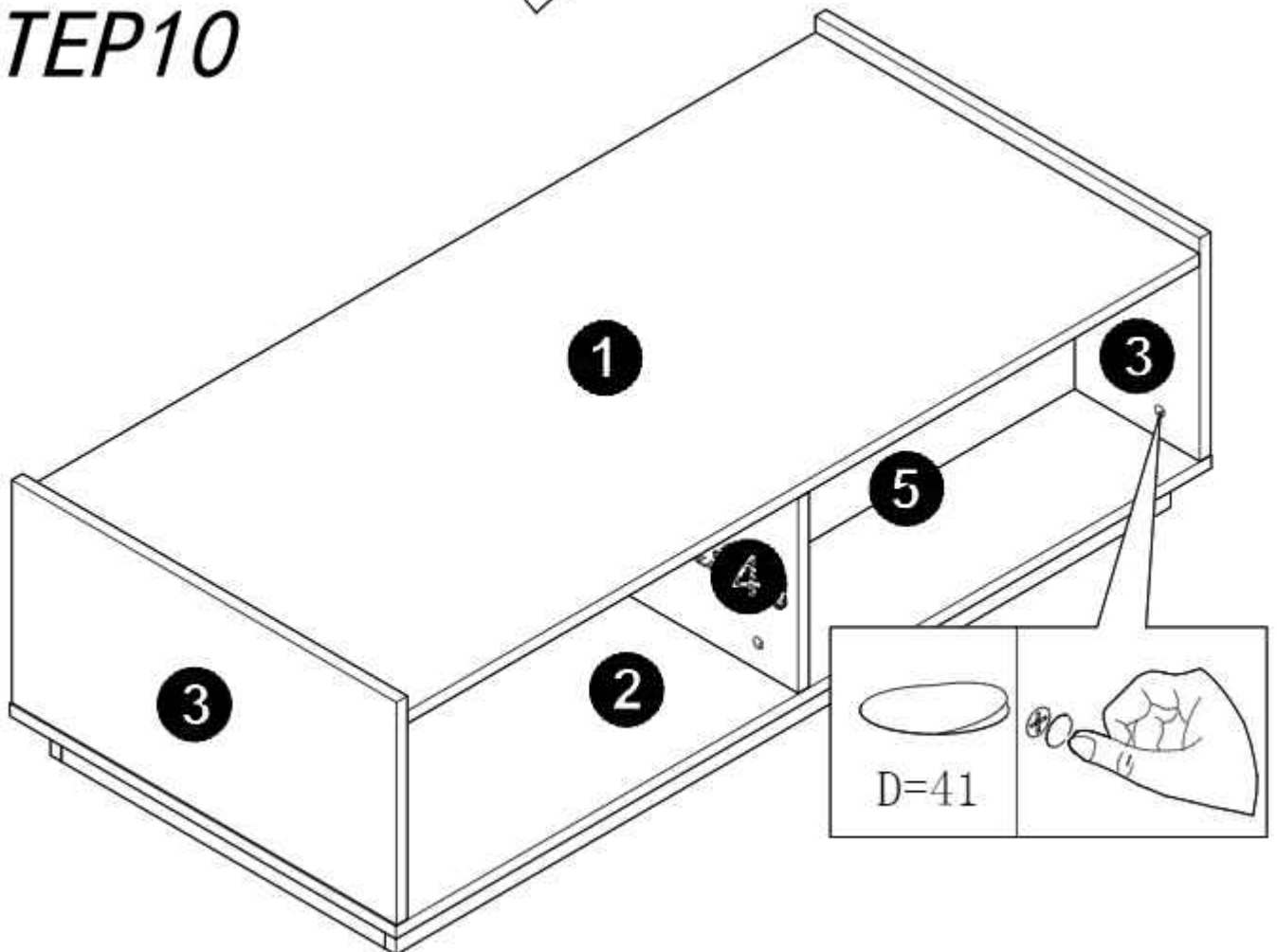
STEP 8



STEP 9

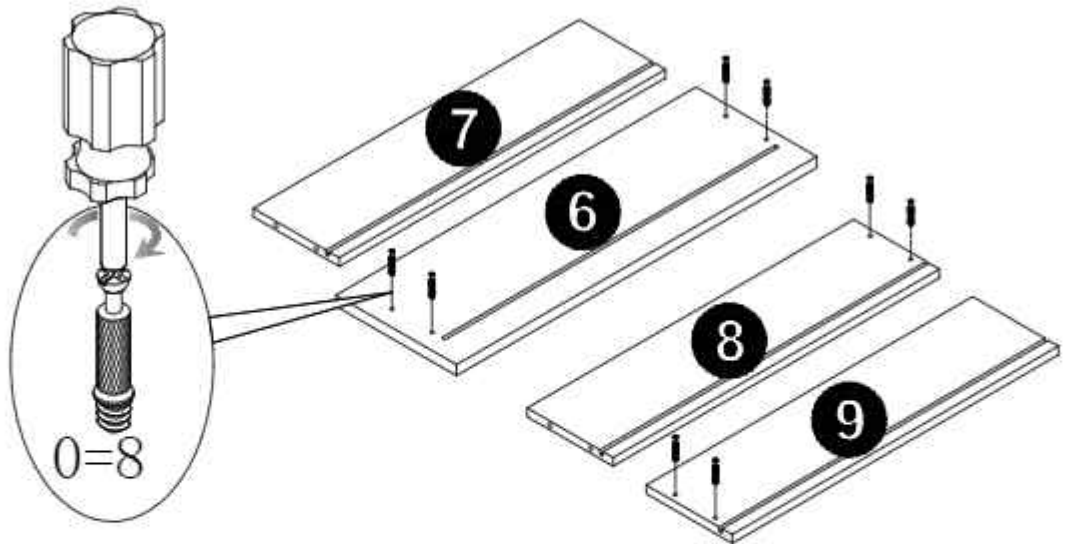


STEP 10

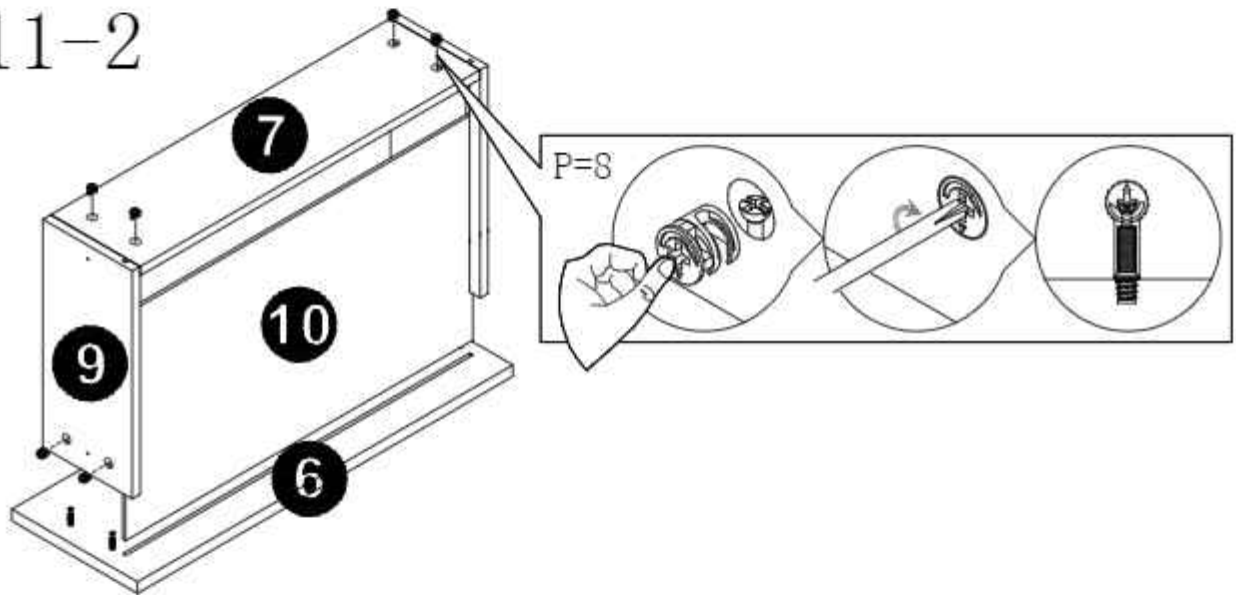


STEP 11

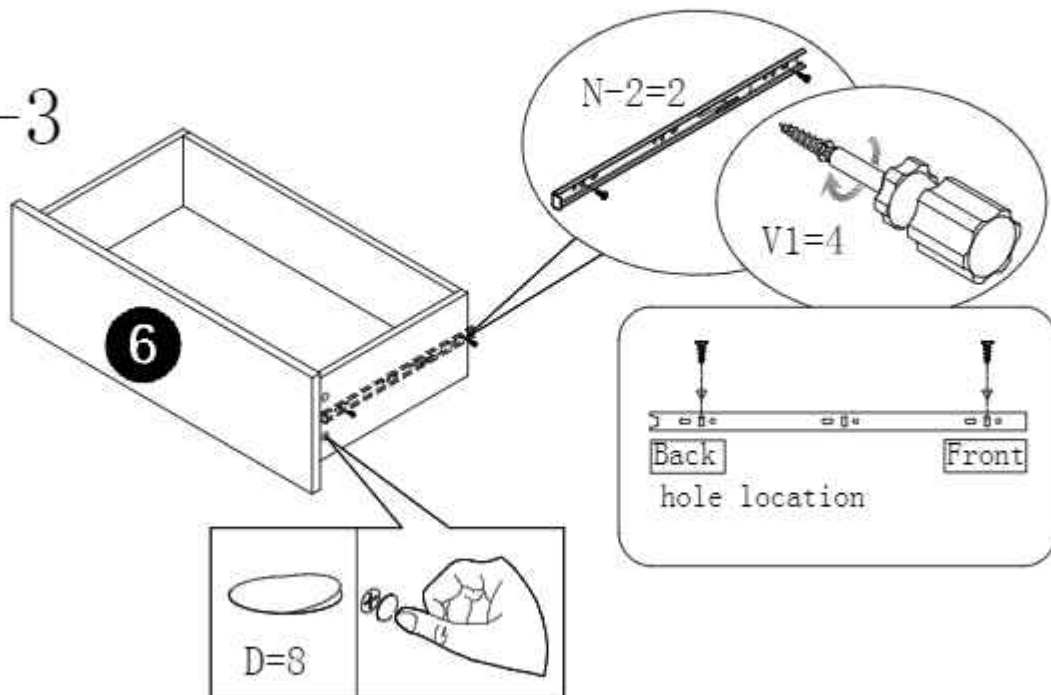
11-1



11-2

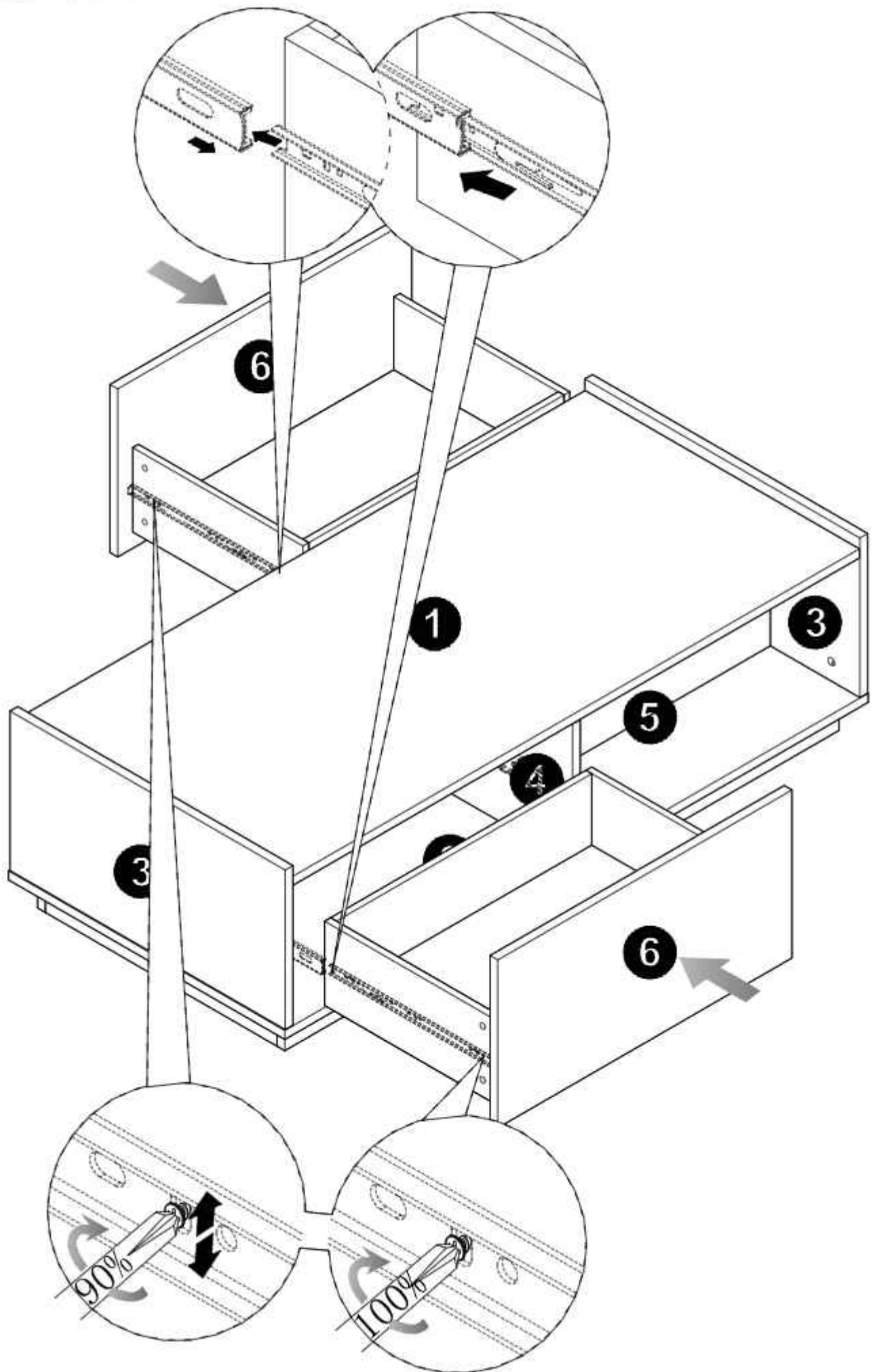


11-3

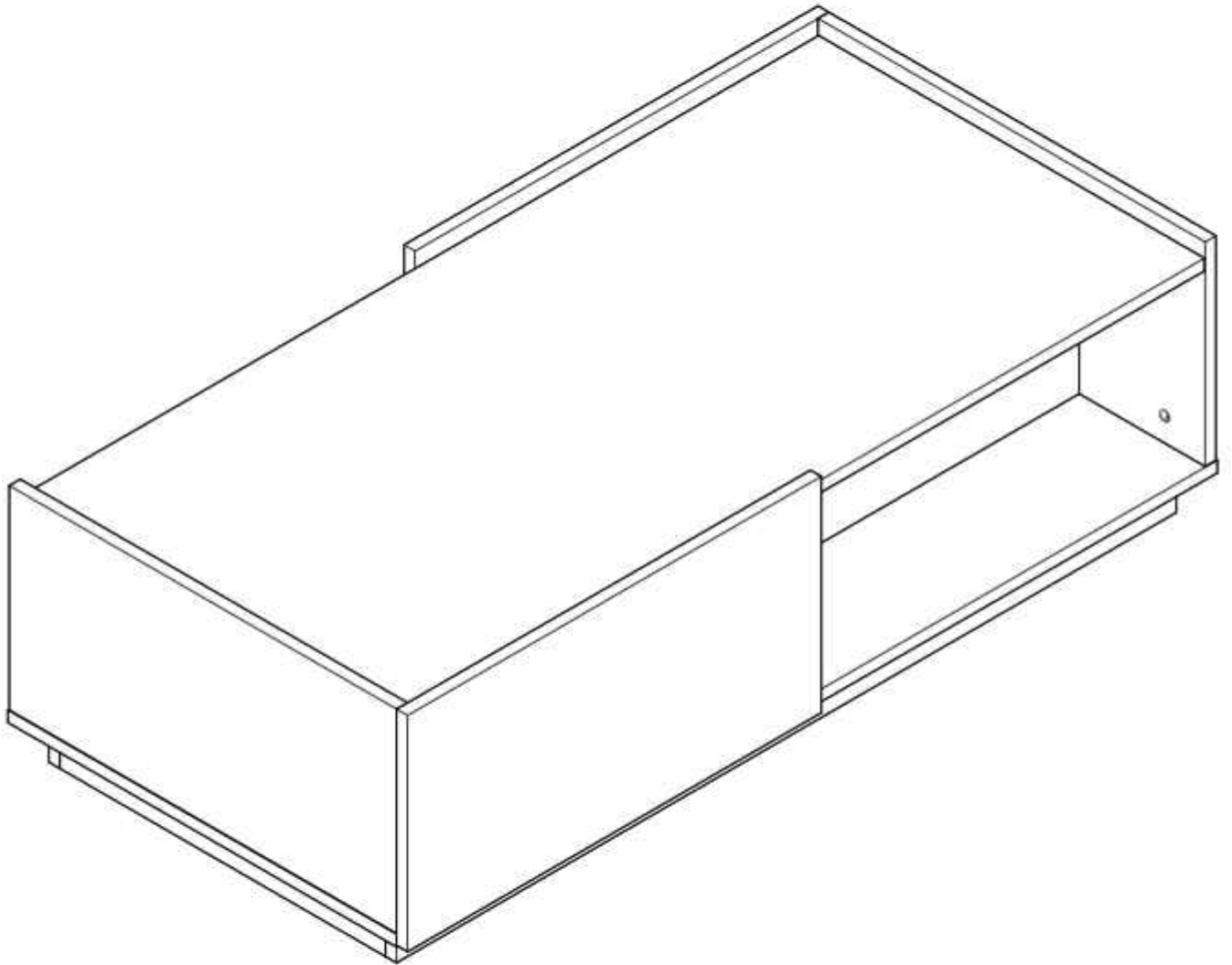


X2

STEP 12

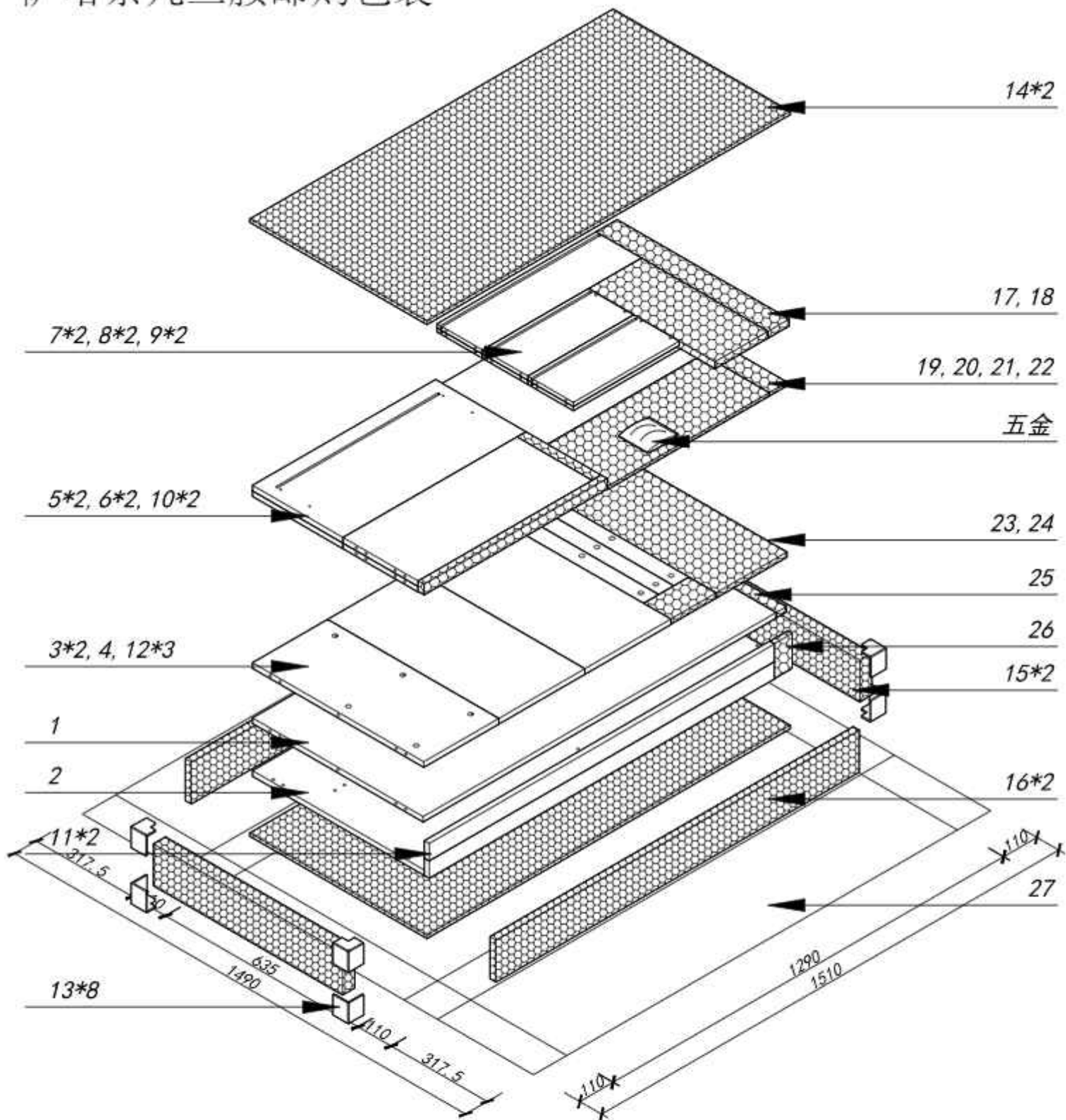


STEP13



FINISH

萨哈茶几三胺邮购包装



Panel No		Panel Sizes	Quantity
13	护角	50*50*50	8
14	泡沫	1200*568*10	2
15	泡沫	625*100*40	2
16	泡沫	1200*100*20	2
17	泡沫	568*70*25	1
18	泡沫	418*175*25	1
19	泡沫	568*60*10	1
20	泡沫	535*220*10	1

Panel No		Panel Sizes	Quantity
21	泡沫	605*20*30	1
22	泡沫	248*30*30	1
23	泡沫	568*234*15	1
24	泡沫	150*90*15	1
25	泡沫	568*34*15	1
26	泡沫	100*60*15	1
27	纸盒	内径1290*635*110	1